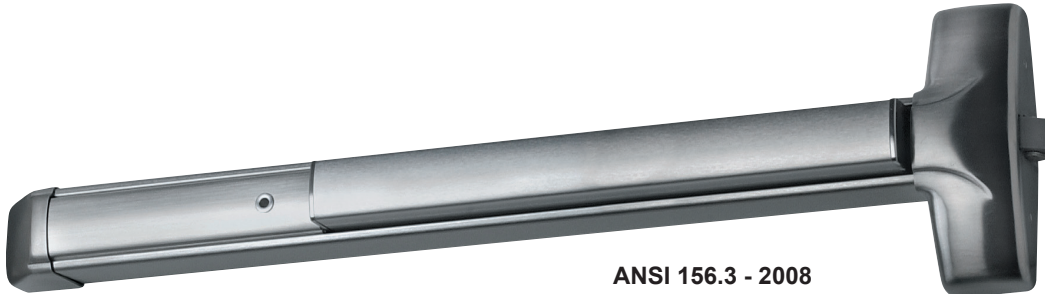




10 SERIES

Rim Exit Device

The 10 Series **rim exit device** is super-heavy-duty panic and **fire exit hardware** for use on all types of single and double doors with mullions. The patented mounting plate and strike locator system ensures the easiest and most accurate installation of panic hardware available.



ANSI 156.3 - 2008
Grade 1
Type 1

Benefits -

- Tough and durable design for years of trouble-free service in high-use, high-abuse environments
- Fast and accurate installation
- Minimal door prep saves time and money
- Outside trims are easily changed or re-keyed without removing device from door

Features -

- Patented mounting plate and strike locator system replaces paper templates
- Tested beyond 1,000,000 cycles - Twice the cycling required for Grade 1 UL testing
- Heavy-duty angled end-cap deflects damage away from device
- Stainless steel deadlocking, Pullman-type latch bolt
- All exposed surfaces are finished over stainless steel with PVD, an environmentally-friendly finishing process
- Non-handed
- Field sizeable
- 1/8 turn hex or cylinder dogging

Mechanical Options -

- F - 3 Hour Fire Rated
- H - Hurricane Rated
- BP-3 Mounting plate (call factory for retrofit information)
- BP-5 Mounting Plate (call factory for retrofit information)
- SLR - Silencer
- CD - Cylinder Dogging
- HD - Hex Dogging (Std.)
- LD - Less Dogging
- 99 - Surface Strike (Std.)
- 98 - Semi Mortise Strike
- 36 - Fits 36" Door Width (Std.)
- 48 - Fits 48" Door Width

Electrical Options -

- Exit Alarm (EA)
 - Electric Dogging (ED)
 - Electric Integration (EI)
 - Electric Latch Retraction (ER)
 - Delayed Egress - Self Contained (EE)
 - Delayed Egress with Latch Retraction (EEExER)
 - Delayed Egress - Mag Lock (EM)
 - Electric Unlock (EU)
 - Latch Bolt Signaling (LX)
 - Latch Bolt Signaling for High Voltage (LXV)
 - Electric Switching (ES)
 - Request to Exit (EX)
 - Request to Exit for High Voltage (EXV)
 - Request to Exit Weatherized (EXxW)
 - Request to Exit Weatherized for High Voltage (EXVxW)
- Refer to Electrified Options section for more information

Accessories -

- GB1 - Glass Bead Kit
- SN1 - Sex Nut Kit (2 per package)
- SSK - Security Torx Screw Kit
- Trim Functions (see Outside Trims)
- Electrified Options (see Electrified Options)

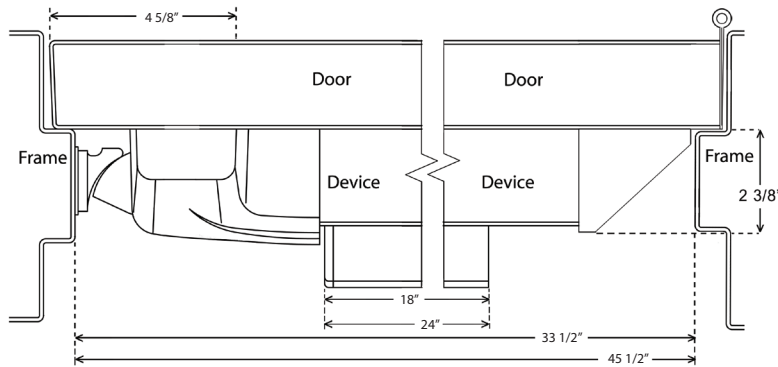
Technical Information -

- Door Types - Wood, Hollow Metal, Fiberglass or Aluminum
- Door Thickness - Fits standard 1-3/4" - 2-1/4" doors (for other door thicknesses contact factory)
- Minimum Stile - 4-5/8" with standard 99 strike; 4-1/8" with optional 98 strike
- Fasteners - Machine and Self-Drilling Screws standard

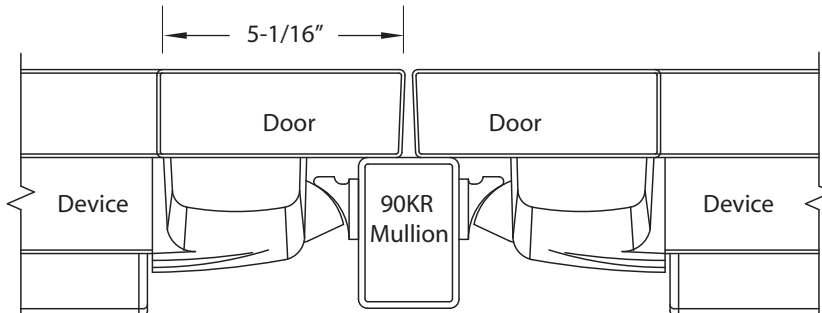
Finishes -

605 / US3	Polished Brass	628 / US28	Aluminum Satin	693 / SPBLK	Black, Painted
606 / US4	Brushed Brass	629 / US32	Polished Stainless Steel	695 / SP 313	Dark Bronze, Painted
611 / US9	Polished Bronze				
612 / US10	Brushed Bronze	630 / US32D	Brushed Stainless Steel		
613 / US10B	Oil Rubbed Bronze				

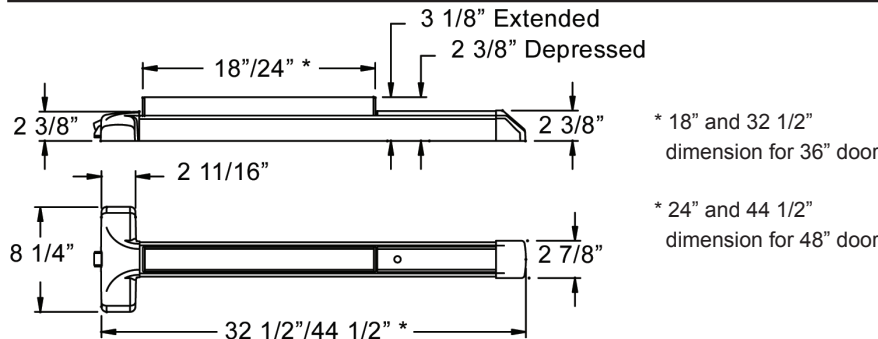
Single Door -



Double Door with 90KR Mullion -



Dimensions -



Listings and Approvals -

- UL Listed Panic Hardware
- UL Listed Fire Exit Hardware for 3 hours, maximum
- UL Listed for 4'x10' single doors and pairs of 4'x8' with F90KR key removable Mullion
- Meets ADA requirements
- UBC 97, Standard 7-2 and UL10C for positive pressure
- ANSI/BHMA certified A156.3
- Meets NFPA 80 & 101 for Life Safety
- Miami-Dade County, Florida NOA 10-0303.02 EXP. 04/07/15
- State of Florida Approval FL9052
- California State Fire Marshall - 4140-0127:105 and 3725-0127:108

Detex Limited Warranty -

10 Year Mechanical/3 year Electrical Limited Manufacturer's Warranty



Detex Corporation
 302 Detex Drive
 New Braunfels, Texas 78130-3045 USA
 PH. (830) 629-2900
 (800) 729-3839
 FAX (830) 620-6711
 (800) 653-3839
<http://www.detex.com>
 USA Sales:
marketing@detex.com
 International Sales:
export@detex.com